

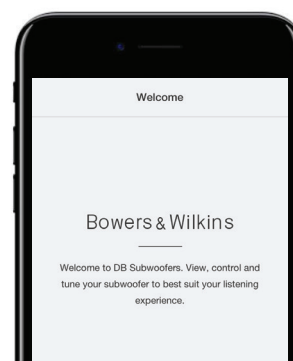
Bowers & Wilkins

DB Series Subwoofers



DB Series Subwoofers. Precision. Accuracy. Power.

Bowers & Wilkins DB Series is our most advanced range of subwoofers yet. Following in the footsteps of the ground-breaking DB1, each model in the four-strong range incorporates new digital technology plus a host of material advances from our award-winning 800 Series Diamond loudspeakers. All four subwoofers have huge power, Aerofoil™ cone drive units and an all-new preamplifier section with dynamic EQ and simple yet highly effective automatic calibration. An intuitive control app makes the range simple to configure and use, whether being used in a cinema system, a home installation or to complement stereo loudspeakers. Quite simply, DB Series is the best-sounding subwoofer range in its class.



Dedicated app

App-based set up means DB Series subwoofers are simple to configure and use. The app includes positioning guides, set up and troubleshooting and can be used to provide control over both overall output and specific audio presets. The Room EQ system allows you to optimise the subwoofer's performance for your room using the microphone built into your phone. The app is available for both iOS and Android.



DB3D, DB2D and DB1D

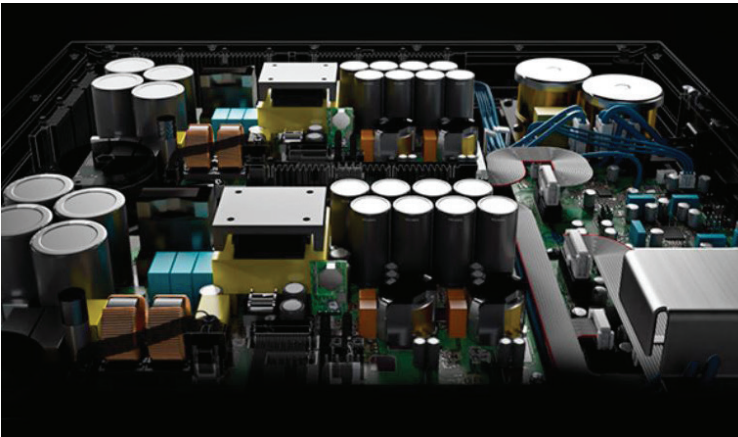


DB4S



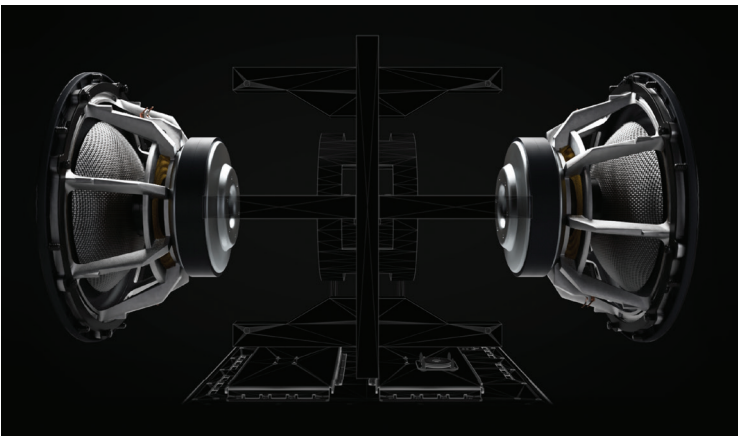
Aerofoil cones deliver better bass

DB Series subwoofers use Aerofoil cones identical to those found in the 800 Series Diamond. These light, ultra-stiff drivers resist bending and flexing far longer than conventional cones, delivering controlled bass with outstanding precision.



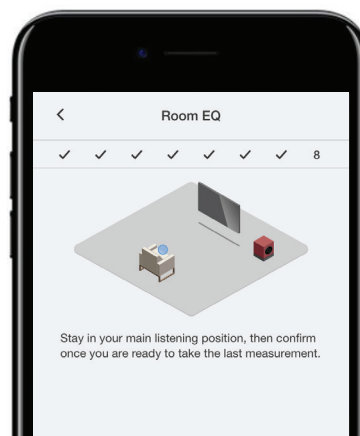
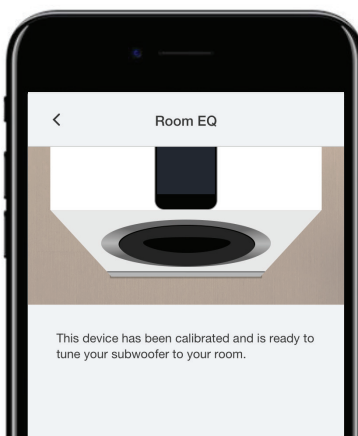
Powerful

The DB1D is the most powerful active subwoofer Bowers & Wilkins has ever made; its 2000W amplifier provides astonishing reserves of drive and authority. With their 1000W amplifiers, the DB2D, DB3D and DB4S mirror this capability in more compact forms.



Dual balanced drivers

DB1D, DB2D and DB3D use two bass cones arranged in an opposed, balanced, configuration that greatly reduces cabinet vibration to ensure more precise sound. The result: fantastic, coloration-free bass.



Digital

Thanks to an all-new digital preamplifier, the DB Series subwoofers' awesome power is always delivered optimally. The powerful combination of Dynamic EQ plus automatic calibration and equalisation ensures outstanding performance in every circumstance.

Specification



DB1D



DB2D



DB3D



DB4S

	DB1D	DB2D	DB3D	DB4S
Description	DB Series Subwoofer	DB Series Subwoofer	DB Series Subwoofer	DB Series Subwoofer
Drive units	2 x 300mm (12in) Aerofoil™ cone bass unit	2 x 250mm (10in) Aerofoil™ cone drive units	2 x 200mm (8in) Aerofoil™ cone drive units	1x 250mm (10in) Aerofoil™ cone drive unit
Frequency range (-6dB)	8.5Hz - 500Hz	8.5Hz - 500Hz	8.5Hz - 500Hz	8.5Hz - 500Hz
Frequency Response -3dB (centred on level at 100Hz)	10Hz - 350Hz	10Hz - 350Hz	10Hz - 350Hz	10Hz - 350Hz
Max power output	2000W Class D Hypex amplifier	1000W Class D Hypex amplifier	1000W Class D Hypex amplifier	1000W Class D Hypex amplifier
Rating power consumption	360W	195W	195W	195W
Standby power consumption	<0.5W	<0.5W	<0.5W	<0.5W
Input impedance	XLR 20kOhm RCA 10kOhm	XLR 20kOhm RCA 10kOhm	XLR 20kOhm RCA 10kOhm	XLR 20kOhm RCA 10kOhm
Signal to noise ratio	92dB	82db	82db	82db
Features	2000W Class D Hypex amplifier, Aerofoil™ bass cone drive units in a balanced configuration, Digital preamplifier with Dynamic EQ, App-based set up and BT-LE control	1000W Class D Hypex amplifier, Aerofoil™ cone drive units in a balanced configuration, Digital preamplifier with Dynamic EQ, App-based set up and BT-LE control	1000W Class D Hypex amplifier, Aerofoil™ cone drive units in a balanced configuration, Digital preamplifier with Dynamic EQ, App-based set up and BT-LE control	1000W Class D Hypex amplifier, Aerofoil™ bass cone drive unit, Digital preamplifier with Dynamic EQ, App-based set up and BT-LE control
Inputs	2 x XLR 2 x RCA 2 x 3.5mm 12V trigger RS-232 – 9-pin D connector	2 x XLR 2 x RCA 2 x 3.5mm 12V trigger RS-232 – 9-pin D connector	2 x XLR 2 x RCA 2 x 3.5mm 12V trigger RS-232 – 9-pin D connector	2 x XLR 2 x RCA 2 x 3.5mm 12V trigger RS-232 – 9-pin D connector
Dimensions				
Height	460mm (18.1in)	430mm (16.9in)	360mm (14.1in)	377mm (14.8in)
Width	429mm (16.9in)	377mm (14.8in)	320mm (12.6in)	360mm (14.1in)
Depth	410mm (16.1in)	360mm (14.2in)	300mm (11.8in)	368mm (14.5in)
Net weight	43kg	36kg	25kg	26kg
Cabinet finish	Gloss Black (with black grilles) Rosenut (with black grilles) Satin White (with grey grilles)	Gloss Black (with black grilles) Rosenut (with black grilles) Satin White (with grey grilles)	Gloss Black (with black grilles) Rosenut (with black grilles) Satin White (with grey grilles)	Gloss Black (with black grille) Rosenut (with black grille) Satin White (with grey grille)

Bowers & Wilkins

bowers-wilkins.com

Aerofoil is a trademark of B&W Group Ltd. Copyright © B&W Group Ltd. E&OE